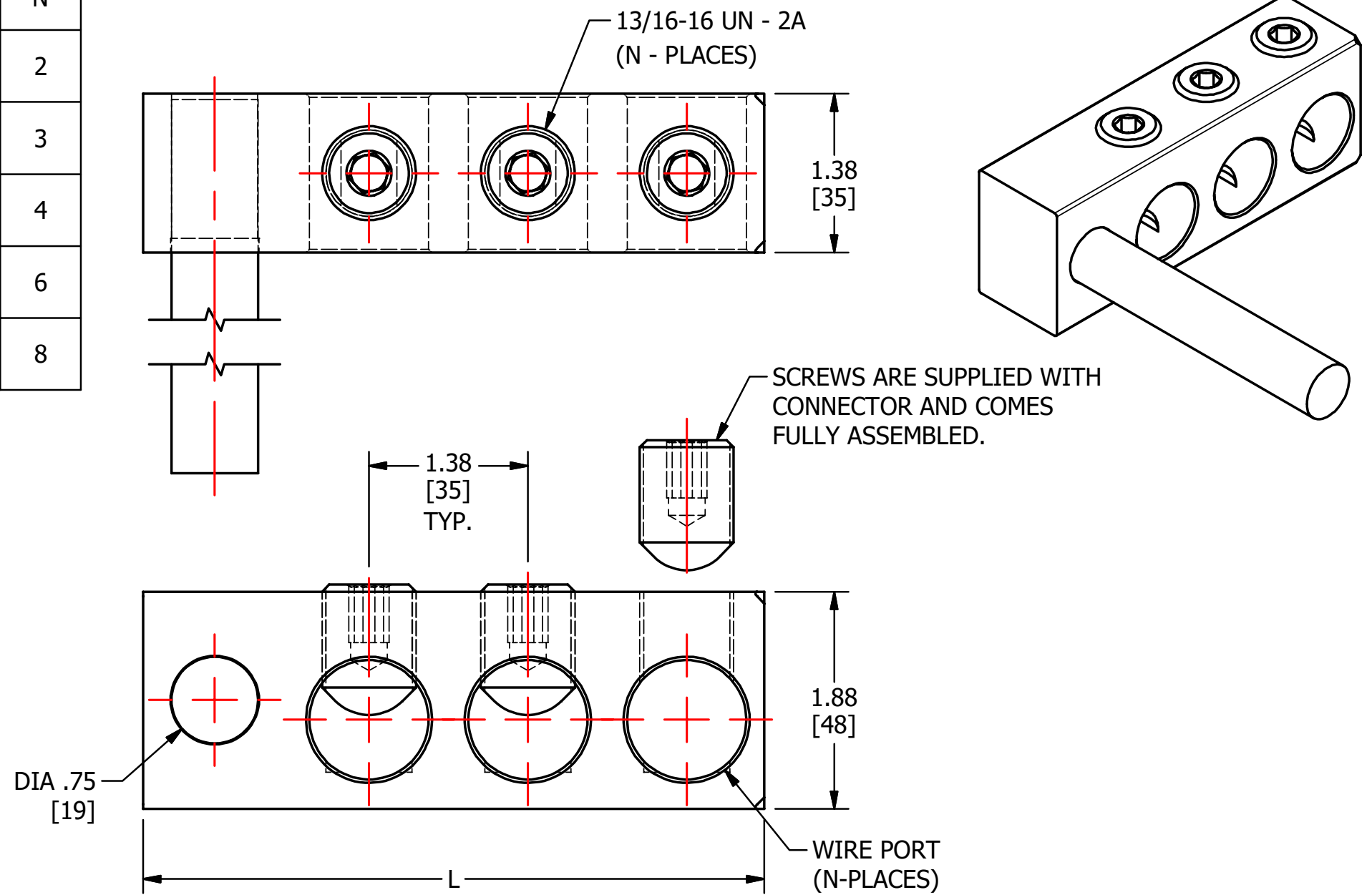


S.NO	CATALOG NUMBER	L	N
1	NP2-750I	4.00 [102]	2
2	NP3-750I	5.38 [137]	3
3	NP4-750I	6.75 [717]	4
4	NP6-750I	9.50 [241]	6
5	NP8-750I	12.25 [311]	8



CONDUCTOR RANGE: 750 Kcmil - #2 AWG  
DUAL-RATED CONDUCTORS (ALUMINUM OR COPPER)

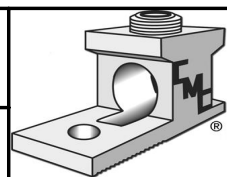
FINISH: CLEAR PLATE  
MATERIAL: ALUMINUM

					TO ORDER CMC PRODUCTS CALL 1-513-860-4455	DRAWN BY: TS 09-27-19	NAME OF PART: PIN CONNECTOR ASSEMBLY	CAT. NO.: SEE TABLE
					FOR PRODUCT INFO: <a href="http://www.cmclugs.com">http://www.cmclugs.com</a>	CHECKED BY:	DWG NO: C58701705I-S (CHARTED)	A
A	NEW DRAWING CREATED		09-27-19	TS		DRAWING NOT TO SCALE		SHEET NO: 1 OF 1
REV.	DESCRIPTION	ECN	DATE	INIT.				

THIS INFORMATION IS PROPRIETARY TO CONNECTOR MFG. CO. AND IS NOT TO BE DISCLOSED OUTSIDE OF CONNECTOR MFG. CO. WITHOUT A CONFIDENTIALITY AGREEMENT



**CONNECTOR MANUFACTURING CO.**



HAMILTON, OHIO